

ZS-6720D

BCD/HEX 7SEG Display

User's Manual



Zenisu Keisoku, Inc.

Zip code: 183-0027

2-13-37, Honmachi, Fuchu, Tokyo, Japan

TEL: +81-(0)42-368-2126

FAX: +81-(0)42-364-0067

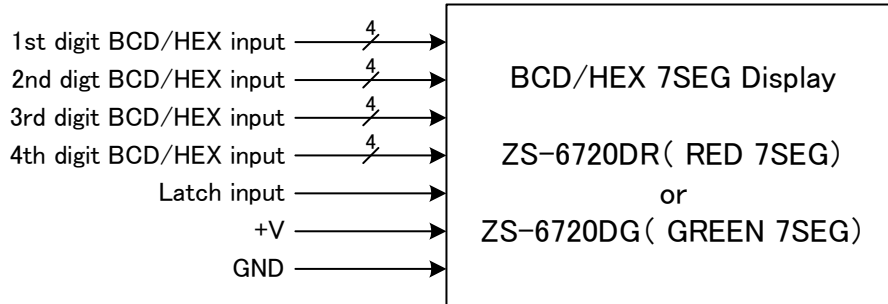
URL <http://www.zenisu.co.jp/>

1. Outline

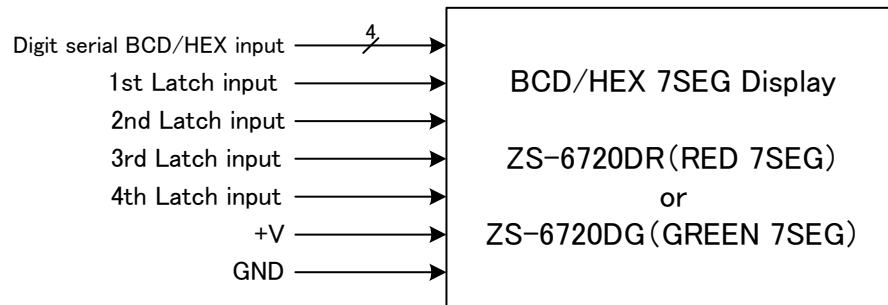
ZS-6720D is a 4-digit 7SEG display compatible with BCD or HEX input.

It is possible to be selected from two types of data input method that are 4-digit parallel input and digit serial input. Two colors of red and green are prepared for display color. It can also correspond to yellow, orange, and blue.

- 4-digit parallel input method.



- Digit serial input method



2. Feature

- The range of the power input is from +4V to +18V.
- The range of signal input voltage is from +3.3V to +28V.
- 4-digit parallel input / digit serial input is selectable.
- BCD/HEX input: positive / negative logic is selectable.
- Latch input: positive / negative logic is selectable.
- Decimal point position is possible to be set.

3. Specification

3.1. Power supply

- Power: DC+4V to DC+18V
- Current consumption: 20mA or less

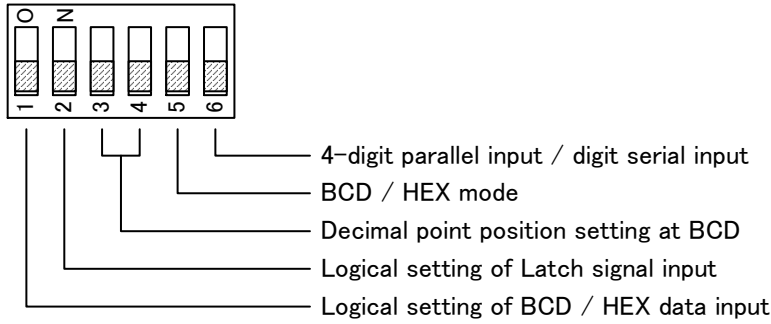
3.2. Input signal level

- Low level: 0.2V or less
- High level: DC+3.3V to DC+28V

3.3. Display character size

- Height: 10.16mm
- Width: 5.57mm

3.4. Internal DIP switch (SW1)

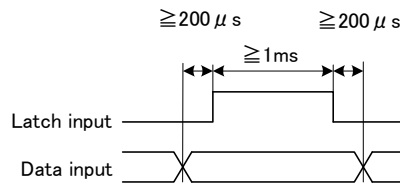
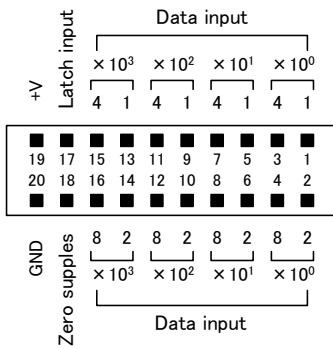


| SW1 | Function | ON | OFF |
|-----|--------------------------|----------------------------|----------|
| 1 | BCD / HEX input | Negative | Positive |
| 2 | Latch input | Negative | Positive |
| 3 | Decimal point position 0 | See the table on the right | |
| 4 | Decimal point position 1 | | |
| 5 | BCD/HEX | BCD | HEX |
| 6 | Serial / Parallel | Digit sereial | Parallel |

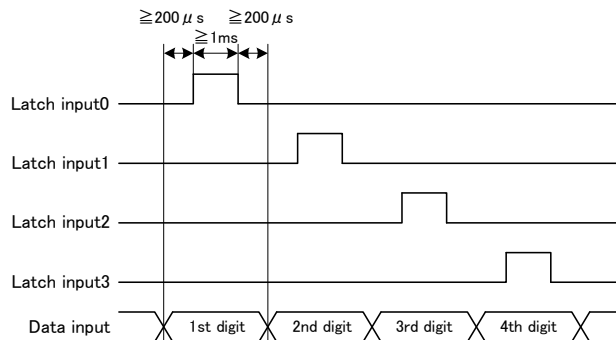
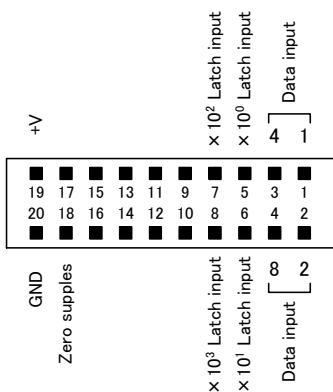
| Decimal position 1 | Decimal position 0 | Position |
|--------------------|--------------------|----------|
| ON | ON | XXX. X |
| ON | OFF | XX. XX |
| OFF | ON | X. XXX |
| OFF | OFF | None |

3.5. Connector pin assignment and data input timing

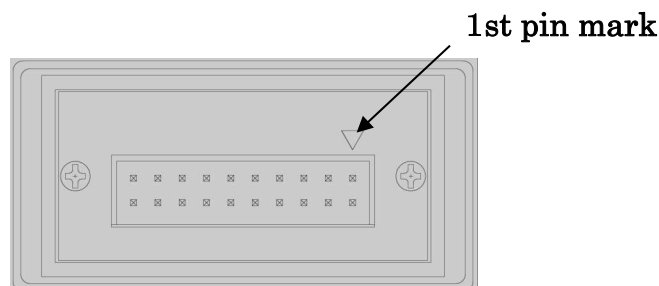
(1) Parallel input mode



(2) Digit serial input mode



(3) Connector pin

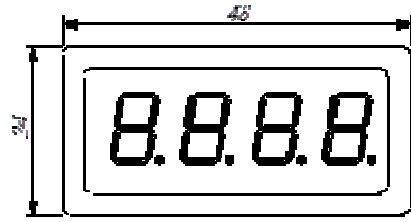


3.6. Display character

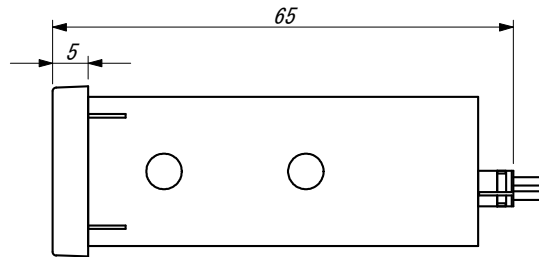
| Data | | | | Display | |
|------|---|---|---|---------|-----|
| 8 | 4 | 2 | 1 | BCD | HEX |
| 0 | 0 | 0 | 0 | 0 | 0 |
| 0 | 0 | 0 | 1 | 1 | 1 |
| 0 | 0 | 1 | 0 | 2 | 2 |
| 0 | 0 | 1 | 1 | 3 | 3 |
| 0 | 1 | 0 | 0 | 4 | 4 |
| 0 | 1 | 0 | 1 | 5 | 5 |
| 0 | 1 | 1 | 0 | 6 | 6 |
| 0 | 1 | 1 | 1 | 7 | 7 |
| 1 | 0 | 0 | 0 | 8 | 8 |
| 1 | 0 | 0 | 1 | 9 | 9 |
| 1 | 0 | 1 | 0 | - | A |
| 1 | 0 | 1 | 1 | BLANK | b |
| 1 | 1 | 0 | 0 | BLANK | c |
| 1 | 1 | 0 | 1 | BLANK | d |
| 1 | 1 | 1 | 0 | BLANK | e |
| 1 | 1 | 1 | 1 | BLANK | f |

3.7. Size

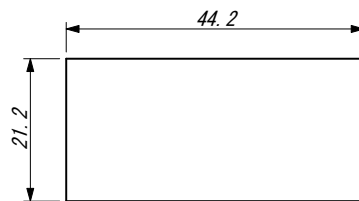
Front



Side



Panel cut hole



3.4. Appearance



4. Warranty

If it fails during normal use, we will repair it free of charge as described in this warranty as below.

- 1) During the warranty period which is one year from the date of purchase, we will repair it free of charge in case of malfunction in accordance with instruction manual.
- 2) It will be charged for extra in the following case, even during warranty period.
 - Incorrect usage or failure or damage caused by carelessness.
 - Failure or damage caused by improper repair or remodeling.
 - Failure or damage caused by external factors such as fire, earthquake, other natural disasters, abnormal voltage and so on.
 - Replacement of consumable parts.
 - Change of power supply and voltage.
- 3) This warranty provision is effective only in Japan