

For reliable
measurement
system

High-Speed GP-IB Extender

ZS-6103EG SERIES

ZS-6103EG extends the GP-IB bus. The transmission distance can be made longer than the GP-IB cable by using the optical fiber cable, and GP-IB equipment is expandable.

Furthermore, since the optical transmission line is insulated from the internal circuit including the GP-IB, it is reinforced against external noise.

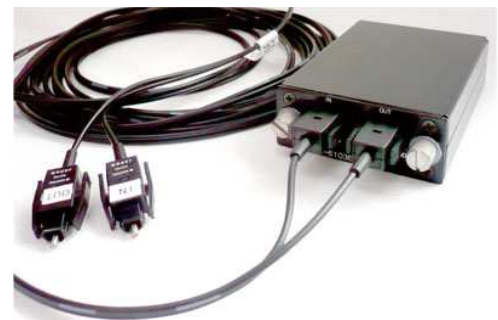
You can read measured data from the anechoic chamber via optical fiber cable.



ZS-6103EG Series



ZS-6103EG-F5 Back View



Optical fiber cable (optional)

- * Compact (50x100x24mm) and high performance
- * Extend transmission distance(F1: 3km, F5: 1km)
- * Support various systems by tandem connection
- * Don't need GP-IB connection cable for ZS-6103EG
- * Compliant with RoHS
- * Enhance the measure against noise of the GP-IB system

Related items

GP-IB adapter

- ZS-6120CP : Convert the I/O (up to 64-bit parallel) to GP-IB
- ZS-6122BP : Input 64-bit, Output 16-bit
- ZS-6123AP : Expandable GP-IB byte serial I/O

Interface converter

- ZS-6143AF : Control GP-IB device from RS-232C
- ZS-6144AF : Control RS-232C device from GP-IB
- ZS-6170AF : Convert USB interface to GP-IB
- ZS-6180AF : Communicate with GP-IB and control it using the EtherNet

GP-IB cable

- ZS-GPIB-xx : Specify the length (m) to "xx"

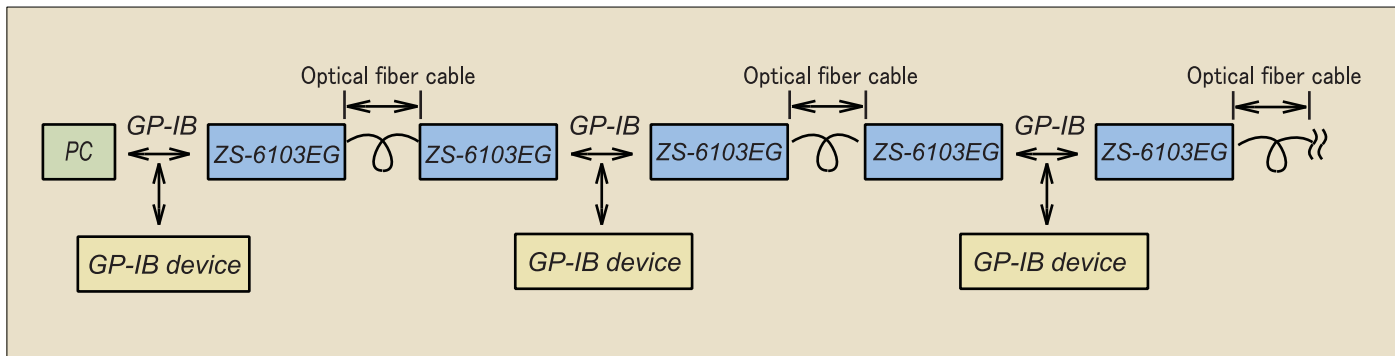
High speed GP-IB extender

ZS-6103EG-F1
ZS-6103EG-F5

Features

- Compliant with IEEE-488-1978
- Fully bidirectional and transparent on the system.
Application software currently in use can be utilized as it is.
- Tandem connection is available between different floors.
- Protect the system precision measuring instruments from the

Usage example in tandem connection



Common Specification

■ GP-IB Specification

Compliance IEEE-488-1978std
Support All function excluding the parallel port function

■ General Specification

Size 50(W)x100(D)x24(H)mm
Power supply jack MJ-17 is used
4.4x1.65φmm center plus
Weight 500g or less
Environmental condition
Temperature 0 to 40 °
Humidity 10 to 85%RH

Please download the User's manual from our website.
<http://www.zenisu.co.jp/>

Option

■ AC adapter GF12-US0520 Input: AC100 to 240V
Output: DC +5V 2A

■ Optical fiber cable

F1 Optical fiber cable Max 3Km
F5 Optical fiber cable Max 1Km

| | F1 | F5 |
|-------------|-------------|-------------|
| Inside rack | ZS-F1NR-xxx | ZS-F5NR-xxx |
| Indoor use | ZS-F1ND-xxx | ZS-F5ND-xxx |
| Outdoor use | ZS-F1ET-xxx | ZS-F5ET-xxx |

"xxx" part is the length specification as a meter

The connection cable between devices and the AC adapter are optional.

Note)

Since reinforcing steel wire is not used for "Inside rack", please use it in a place that pressure and tension are not applied to the cable.

specification

| Model | ZS-6103EG-F1 | ZS-6103EG-F5 |
|--------------------------|----------------------------|----------------------|
| Abbreviated Name | FC | F5 |
| Connector | JIS F01 | JIS F05 |
| Cable | GI 50 / 125 | HPCF 200 / 230 |
| Cable type (Inside rack) | ZS-F1NR-xxx | ZS-F5NR-xxx |
| Cable type (Indoor use) | ZS-F1ND-xxx | ZS-F5ND-xxx |
| Cable type (Outdoor use) | ZS-F1ET-xxx | ZS-F5ET-xxx |
| Communication speed | MAX 125Kbytes / s | MAX 250Kbytes / s |
| Transmission distance | MAX 3Km | MAX 1Km |
| Power | DC +5V 400mA or less | DC +5V 400mA or less |
| Feature | Long transmission distance | Low price |



Zenisu Keisoku, Inc.

Zip code: 183-0027
2-13-37, Honmachi, Fuchu, Tokyo, Japan
TEL: +81-(0)42-368-2126
FAX: +81-(0)42-364-0067

Specifications and appearance are subject to change without notice due to continual improvements.