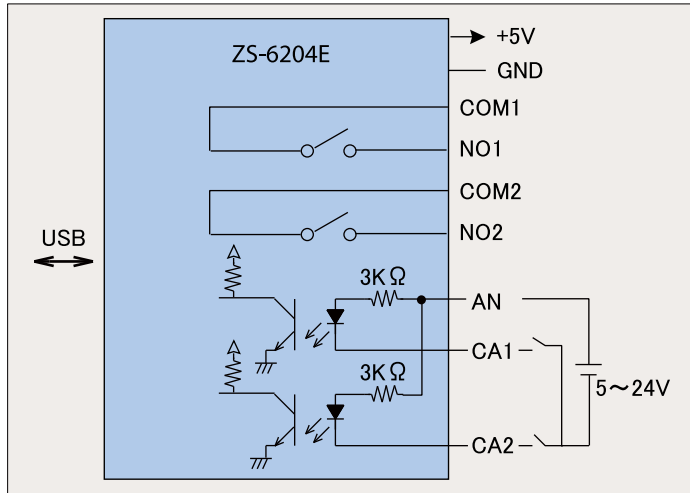


# USB Adapter

ZS-6204E

Compliant with RoHS

MOS relay output and photocoupler input are built-in and it is a USB adapter which is possible to be easily controlled from a personal computer.



## Features

- Compliant with USB 2.0
- Relay output 2 contacts
- Photocoupler input (2 bits)
- Power supply +5V from USB
- Small size
- Value pricing

### Connector

Signal	Pin No.		Signal
GND	1	6	COM2
COM1	2	7	NO2
NO1	3	8	CA2
CA1	4	9	AN
+5V	5	-	-

### Option

USB cable: KU-SLAMCB 10 USB A-Micro USB (1m)

Please contact us as there are other lengths.

Please download USB driver and Use's manual from our website.  
<http://www.zenisu.co.jp>

### 仕様

Relay: TLP3215  
 ON resistor : 1.5Ω or less (non-polar)  
 Rated load : 40V 300mA  
 Operating time : 5ms or less  
 Recovery time : 5ms or less  
 Photocoupler : PS2911-1-A/K  
 Input voltage : DC5 to 24V  
 Data connector : D-SUB 9pin connector  
 Power supply : USB bus power  
 (DC4.75 to 5.25V 100mA or less)  
 Operating environment : Temperature 0 to 50°  
 Humidity 85% or less  
 Storage temperature : -20 to 80°  
 Size : 37(W)x16(H)x52(D)  
 OS : WindowsVista (32/64bit)  
 Windows7 (32/64bit)  
 Windows8 (32/64bit)  
 Others